

ZIP-NVR301-16L6TB



Key Features

- ★ Support Ultra H.265/H.265/H.264 video formats
- ★ 16/32/64-channel input
- ★ Supports mainstream cameras of ONVIF conformance(Profile S, Profile G, Profile T) and RTSP protocols
- ★ Support 2-ch HDMI, 1-ch VGA. HDMI1 and HDMI2 up to 4K (3840x2160) resolution
- ★ HDMI1, HDMI2, VGA independent outputs provided
- ★ Up to 12 Megapixels resolution recording
- ★ Support RAID 0, 1, 5, 6, 10
- ★ 8 SATA HDDs, Up to 10TB for each HDD
- ★ Various fisheye dewarping modes for live view and playback for both web interface and GUI
- ★ Support N+1 Hot spare
- ★ Support for 12V Power output
- ★ ANR technology to enhance the storage reliability when the network is disconnected
- ★ Support cloud upgrade

Specifications

Model	NVR301-16L6TB
Video/Audio Input	
IP Video Input	16-ch
Two-way Audio Input	1-ch, RCA

Network	
Incoming Bandwidth	384Mbps
Outgoing Bandwidth	384Mbps
Remote Users	128
Protocols	TCP/IP, P2P, UPnP, NTP, DHCP, PPPoE, HTTP, HTTPS, DNS, DDNS, SNMP, SMTP, NFS
Browser	IE(IE10/11) for Windows Firefox (version 52.0 and above) for Windows Chrome(version 45 and above) for Windows Edge(version 79 and above) for Windows
Video/Audio Output	
HDMI/VGA Output	VGA: 1920x1080p/60Hz, 1920x1080p/50Hz, 1600x1200/60Hz, 1280x1024/60Hz, 1280x720/60Hz, 1024x768/60Hz HDMI1/HDMI2(HDMI audio output is not supported): 4K (3840x2160)/30Hz, 1920x1080p/60Hz, 1920x1080p/50Hz, 1600x1200/60Hz, 1280x1024/60Hz, 1280x720/60Hz, 1024x768/60Hz
Recording Resolution	12MP/8MP/6MP/5MP/4MP/3MP/1080p/960p/720p/D1/2CIF/CIF
Audio Output	1-ch, RCA
Audio Compression	G.711A, G.711U
Synchronous Playback	16-ch
Liveview display	VGA/HDMI1/HDMI2: 1/4/6/8/9/16
Corridor Mode Screen	3/4/5/7/9/10/12/16
Snapshot	
FTP/Schedule/Event Snapshot	16-ch snapshot, up to 4K resolution
Decoding	
Decoding format	Ultra 265, H.265, H.264
Live view/Playback	12MP/8MP/6MP/5MP/4MP/3MP/1080p/960p/720p/D1/2CIF/CIF

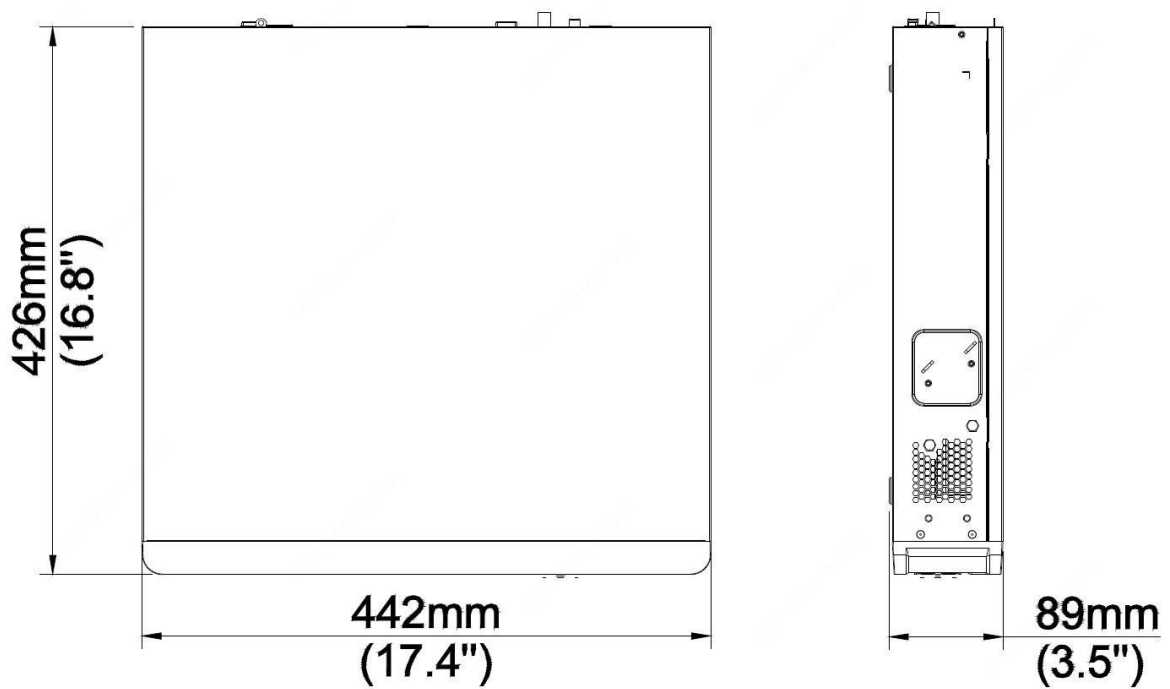
Capability	2 x 12MP@30, 4 x 4K@30, 8 x 4MP@30, 9 x 4MP@25, 16 x 1080P@30
Hard Disk	
SATA	8 SATA interfaces
Capacity	up to 10TB for each HDD
eSATA	1 eSATA interface

Disk Array	
Array Type	RAID 0, 1, 5, 6, 10
Smart	
VCA Detection by Camera	Intrusion Detection, Cross Line Detection, Enter Area, Leave Area, Defocus Detection, Scene Change Detection, Auto Tracking, Object Left Behind, Object Removed, Vehicle Control
VCA Search	Behavior Search, Vehicle Search
People Counting	People Flow Counting, Crowd Density Monitoring
Smart Intrusion Prevention (SIP), by Camera	16-ch
General Alarm	
General Alarm	Motion, Tampering, Human Body Detection, Video Loss, Alarm input, Audio Detection
Alert Alarm	IP Conflict, Network Disconnected, Disk Offline, Disk Abnormal, Illegal Access, Hard Disk Space Low, Hard Disk Full, Recording/Snapshot Abnormal
External Interface	
Network Interface	2 RJ45 10M/100M/1000M self-adaptive Ethernet Interfaces
USB Interface	Front panel: 2 x USB2.0, Rear panel: 1 x USB3.0
RS232	1
RS485	1
Alarm In	16-ch
Alarm Out	4-ch
General	
Power Supply	100~240 VAC Power Consumption: ≤ 25 W (without HDD)

Disk Group	Support
------------	---------

Working Environment	-10°C~+ 55°C (+14°F~+131°F), Humidity ≤ 90% RH (non-condensing)
Dimensions (W×D×H)	442mm ×426mm× 89mm (17.4" × 16.8"× 3.5")
Weight (without HDD)	≤ 5.7Kg (12.57lb)
Certification	
Certification	CE, FCC, UL, RoHS, WEEE
CE	EN 55032: 2015, EN 61000-3-3: 2013, EN IEC 61000-3-2: 2019, EN 55035: 2017
FCC	Part15 Subpart B, ANSI C63.4

Dimensions



Rear Panel

