

ZIP-VP1/10D7/POE



Features

ZIP-VP1-MW

- Metal casing.
- Supports call and intercom with the connected indoor station and app.
- Supports security protection alarm and tamper alarm triggered by door magnet, infrared, etc.
- Supports Wi-Fi.
- Built-in IC card reader.

ZIP-10D7-MBW

- ABS casing and glass panel, solid and durable.
- Supports Wi-Fi.
- Supports touchscreen operation.
- 1024 x 600 HD screen.
- Supports remote door opening by sending signal to the door station.
- Allows to view live video of connected door stations and network cameras.

ZTP-206POE

- Allows to switch operating modes, including Default, VLAN, and Extend.
- Supports VLAN isolation. All PoE ports are isolated from each other and only able to communicate with uplink ports.
- Supports network extension. With a high-quality network cable and IPC, the network transmission distance can reach up to 250 meters by lowering the network port rate to 10Mbps.
- Supports port priority. Packets from high-priority ports will be forwarded first.
- Supports flow control. When there is data congestion in the uplink ports, the switch will actively send flow control frames to PoE ports.
- Plug-and-play, simple and convenient.
- All metal casing, secure and reliable.

Kit Components

- ZIP-VP1-MW
- ZIP-10D7-MBW
- ZTP-206POE

Specifications

Model	ZIP-VP1/10D7/POE
Kit dimensions (L×W×H)	268mm*213mm*180mm
Kit weight	2.005kg
Model	ZIP-VP1-MW
Power supply	DC12V ±25%, PoE power supply
Card capacity	10000
Operating system	Linux
Illuminator	IR light (adaptive)
WDR	Support
FOV	Horizontal: 124.3° Vertical: 67.5° Diagonal: 147.2°
Power consumption	< 10W
Volume adjustment	Support
Audio quality	Noise reduction, echo cancellation, auto gain control
Audio input	Built-in mic
Audio output	Built-in speaker
Protocol	Private protocol
Audio compression format	PCM, G711, MP3
Audio compression bit rate	128kbps
Button	Call button
Ingress protection	IP65 (Apply waterproof glue to the gap between the device and the wall. See the corresponding quick guide for details.) IK08
Weight	0.267kg
Mount method	Wall mount, flush mount
Interface	Power supply*1, network interface*1, RS485*1, door lock interface*2, IO input*4
Communication mode	100Mbps network interface, supports IEEE802.3af; Wi-Fi
Dimensions (L×H×W)	79mm*171mm*34mm

Operating environment	- 30°C to 60°C, 10% to 90% RH noncondensing, outdoor
-----------------------	--

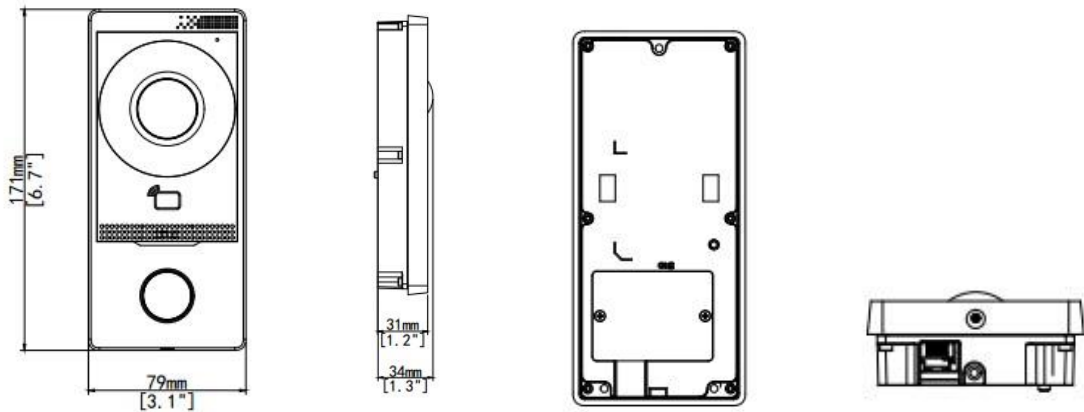
Model	ZIP-10D7-MBW
Power supply	DC12V ±25%, PoE power supply
Screen resolution	1024 x 600
Display screen	7-inch ultra-thin TFT LCD touch screen
Operating system	Linux
Audio quality	Noise reduction, echo cancellation, auto gain control
Audio input	Built-in mic
Audio output	Built-in speaker
Audio compression format	MP3, G711
Audio compression bit rate	128kbps
Protocol	Private protocol
TF card	1 x 32G TF card, capable of storing 100 live video snapshots, 200 call records and call snapshots.
Power consumption	< 10W
Weight	0.377kg
Interface	Power supply*1, network interface*1, RS485*1, IO output*2, IO input*8, TF card slot*1
Communication mode	100Mbps network interface, supports IEEE802.3af; Wi-Fi
Dimensions (L×H×W)	193.2mm*143.4mm*25mm
Operating environment	- 10°C to 55°C, 10% to 90% RH noncondensing, indoor

Model	ZTP-206POE
Service port	6 x 100M copper port (RJ45), including 4 x 100M copper port (supports PoE power supply)
Standards	IEEE802.3, IEEE802.3u, IEEE802.3az, IEEE802.3x, IEEE802.3af, IEEE802.3at
Switching capacity	1.2Gbps
Packet forwarding rate	0.90Mpps
Packet buffer	448kbit
MAC	1K
Dimensions (W×D×H)	107*99*25mm
Weight	0.19kg
Power	DC 48V/51V
PoE	Supports IEEE802.3af and IEEE802.3at
PoE power supply mode	Mode B, 4/5+, 7/8-
PoE power	Maximum total power: 60W Maximum PoE power for single port: 30W
Priority port	1 to 2
Mount method	Desktop mount, wall mount
Fan	Fanless
Operating temperature	0°C to 40°C
Operating humidity	10% to 90% RH, noncondensing

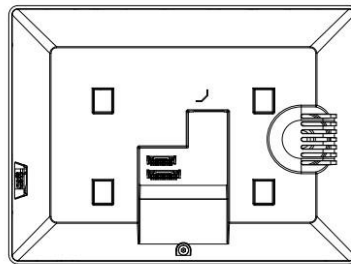
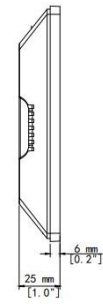
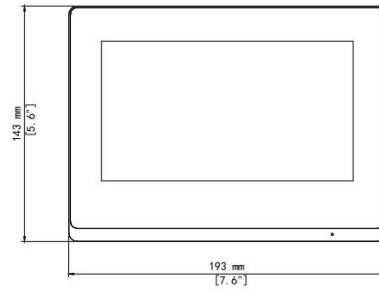
Storage temperature	-40°C to 70°C
Storage humidity	5% to 90% RH, noncondensing
Indicator	POWER: Steady on: Normal power input Off: Abnormal power input
	No PoE port indicator
	PoE-MAX: Off: The total PoE power is less than 80% of the total power of the device. Steady on: The total PoE power is higher than 85% of the total power of the device.
	Link/Act: Off: The port is disconnected. Steady on: The port is connected. Blinking: The port is transmitting data.
DIP switch	Default: All ports can communicate with each other. Extend: All PoE ports can only communicate with uplink ports, and the network transmission distance can reach up to 250 meters.

Dimensions

ZIP-VP1-MW



ZIP-10D7-MBW



ZTP-206POE

